

# **Kräus<sup>®</sup>**

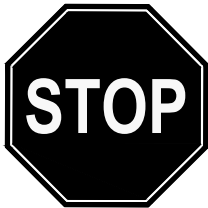
INSTALLATION MANUAL

## **Kore Workstation Stainless Steel Top Mount Kitchen Sinks**

**KWT310-30, KWT311-25**

## **Congratulations on the purchase of your new Kraus plumbing fixture!**

Please keep the box and packaging materials until your product is completely installed. If you have any questions, require technical assistance or have any problems with your product:



**DO NOT RETURN TO STORE**

**Please contact our Customer Service Team  
1-800-775-0703 / [customerservice@kraususa.com](mailto:customerservice@kraususa.com)**

Have the model number available and retain a copy of your receipt with purchase date for reference.

If for any reason this product does not meet your expectations, please be sure to repack this product in the original box and packaging material to avoid damage during transit.

Prior to Installation:

- Make sure that you have all necessary parts by checking the parts list. If any part is missing or damaged, please contact Kraus Customer Service at 800-775-0703 for a replacement
- Inspect the sink prior to installation to make sure that it has not been damaged or during shipping
- Use the cut-out template provided by Kraus
- Observe all plumbing and building codes according to your state requirements

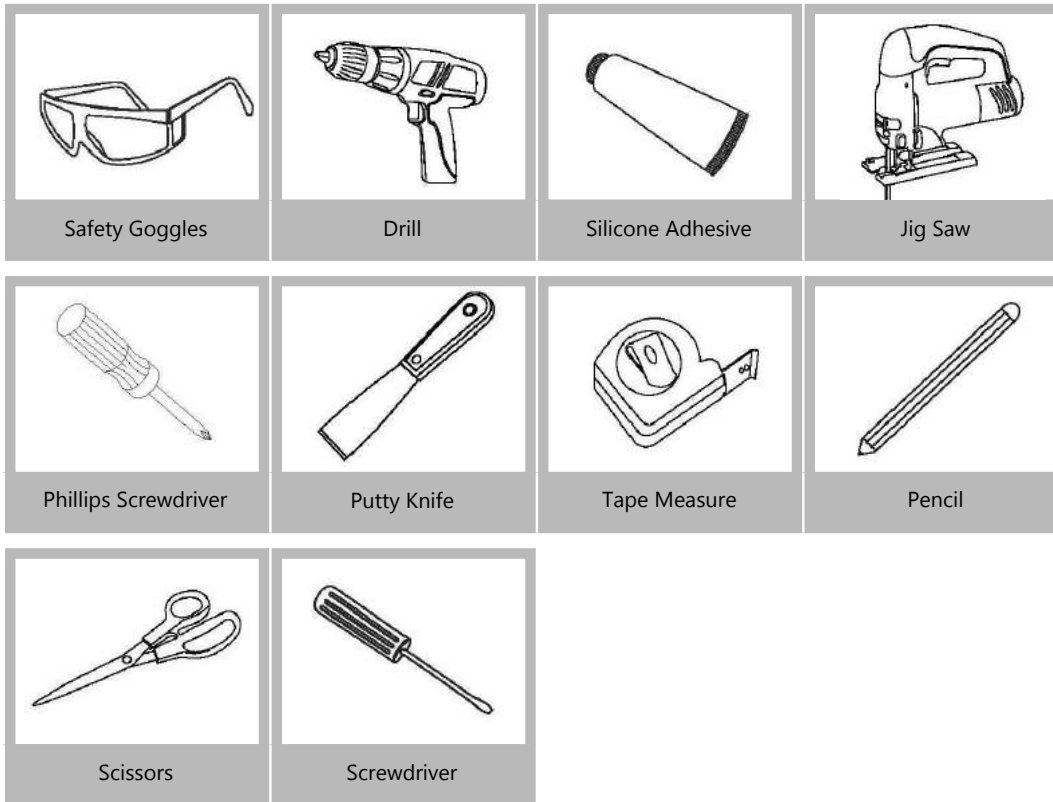
**For technical assistance or replacement parts, please contact Kraus Customer Service and one of our representatives will be happy to help:**

**Toll-Free: 800-775-0703 or [customerservice@kraususa.com](mailto:customerservice@kraususa.com)**

The step-by-step guidelines in the installation instructions are a general reference for installing a Kraus sink. Should there be any discrepancies, Kraus cannot be held liable. It is recommended to install all Kraus products by hiring a licensed professional.

## Tools you will need:

---



**NOTE:** Specialized tools may be necessary to install Kraus Stainless Steel Kitchen sinks with countertop materials other than wood, marble or granite.

## Parts List

---

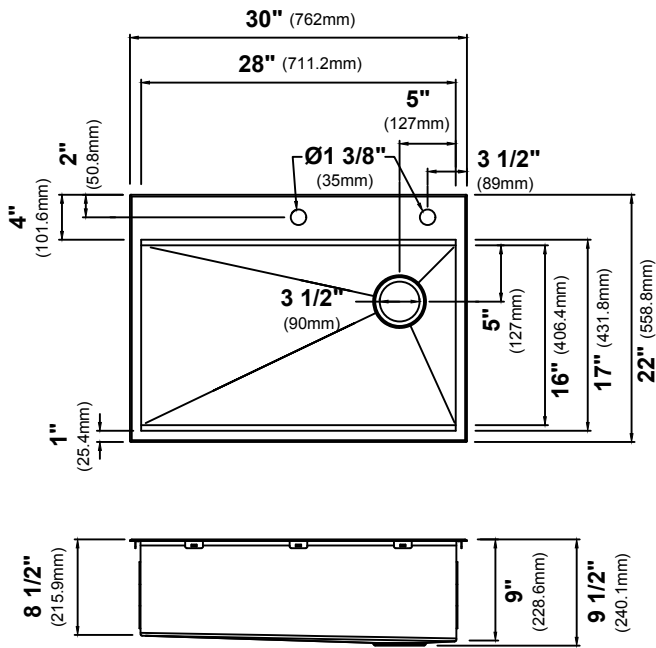
### KWT310-30

- Cut-Out Template
- Mounting Hardware
- Bottom Grid KBG-UN1-30
- Strainer ST-1
- Drain Cap STC-2
- Cutting Board KCB-WS103BB
- Rolling Mat KRM-11BL

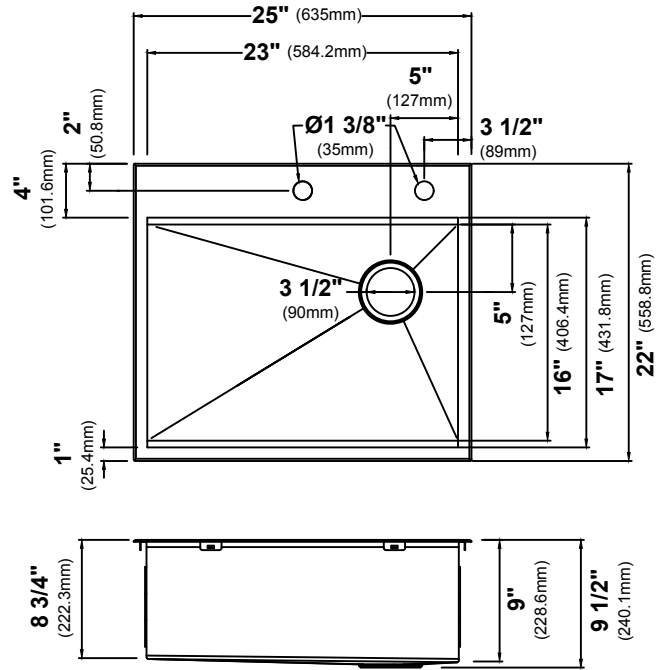
### KWT311-25

- Cut-Out Template
- Mounting Hardware
- Bottom Grid KBG-UN1-25
- Strainer ST-1
- Drain Cap STC-2
- Cutting Board KCB-WS102BB
- Rolling Mat KRM-11BL

# Dimensions:



Model #: KWT310-30  
 Sink Dimensions: 30" x 22" x 9"  
 Min Cabinet Size: 33"

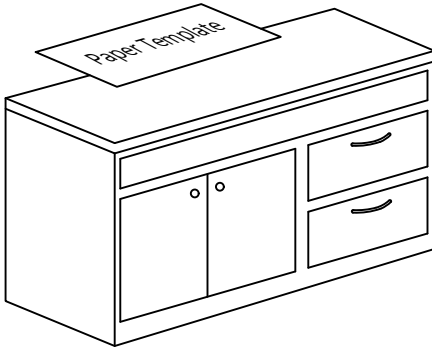


Model #: KWT311-25  
 Sink Dimensions: 25" x 22" x 9"  
 Min Cabinet Size: 27"

## Step 1. Position Template

---

- Check the cut-out template against the actual sink to ensure a proper sized cut-out.
- Place the cut-out template in the desired location on the countertop.

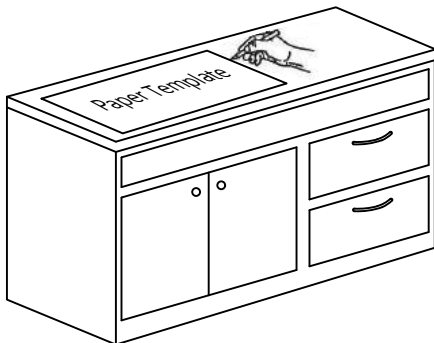


**NOTE:** Make sure clearance is suitable for backsplash, faucet and plumbing for the sink.

## Step 2. Trace Template

---

- Trace template on countertop with a pencil.

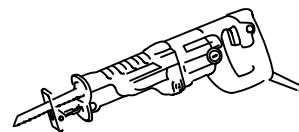
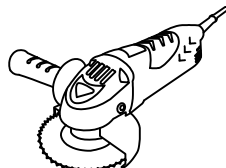
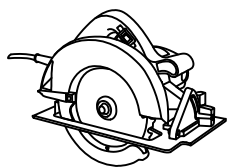
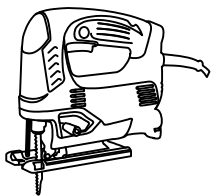
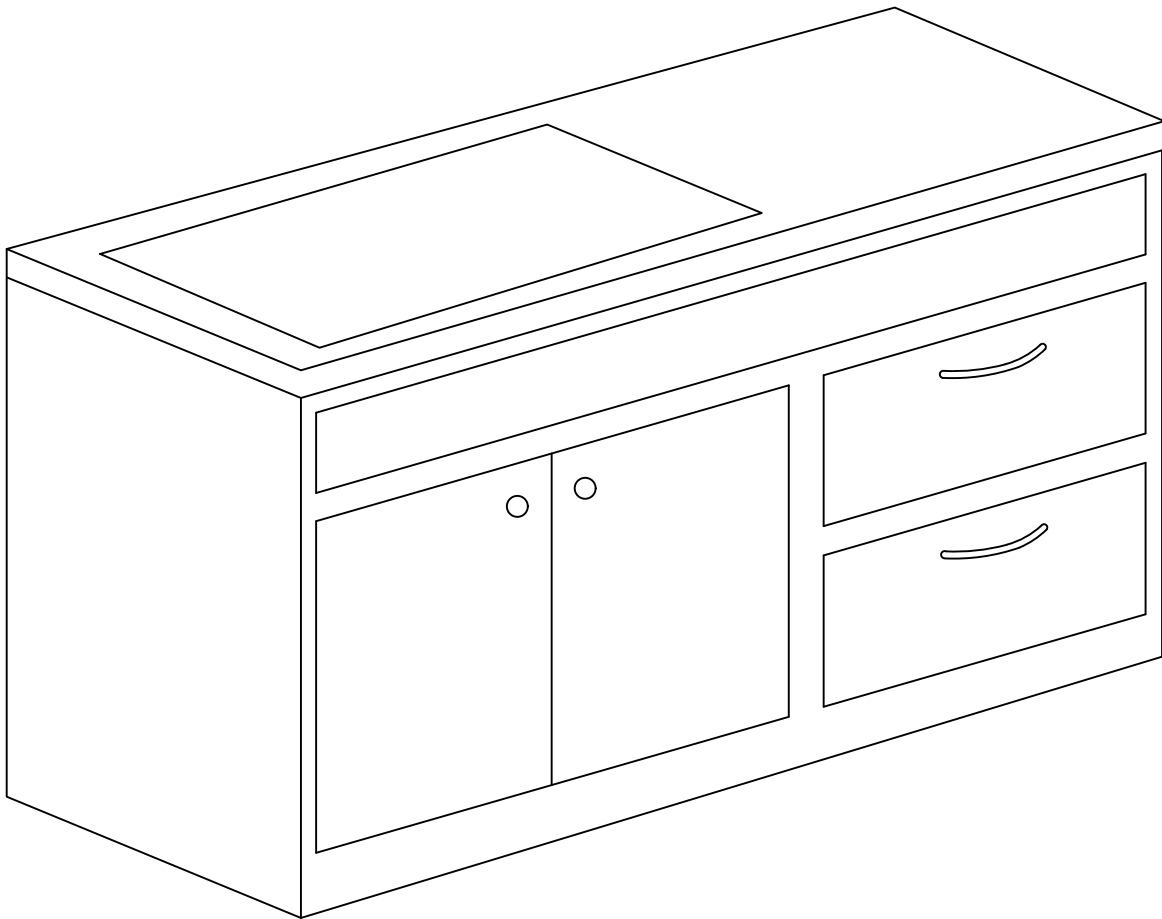


## Step 3. Cut Countertop

---

- Cut the opening in the countertop by carefully following the traced line.

**NOTE:** Please use the appropriate saw that best fits your countertop material.

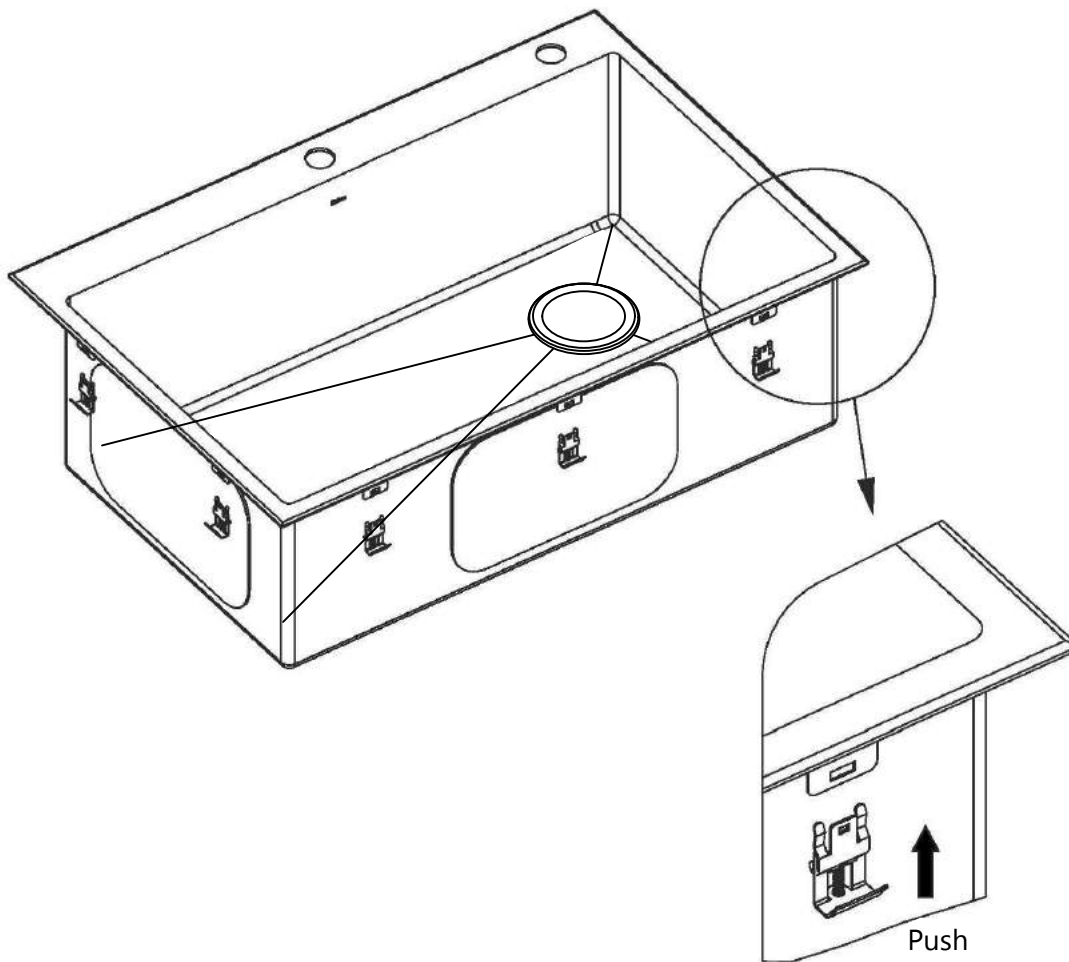


## Step 4. Attach Mounting Hardware

---

- Attach mounting hardware to the prongs protruding from the underside of the sink rim.
- Make sure the hooked side of the mounting clip is facing away from the sink.

**NOTE:** Maximum countertop thickness for Top Mount installation is 1 1/2".

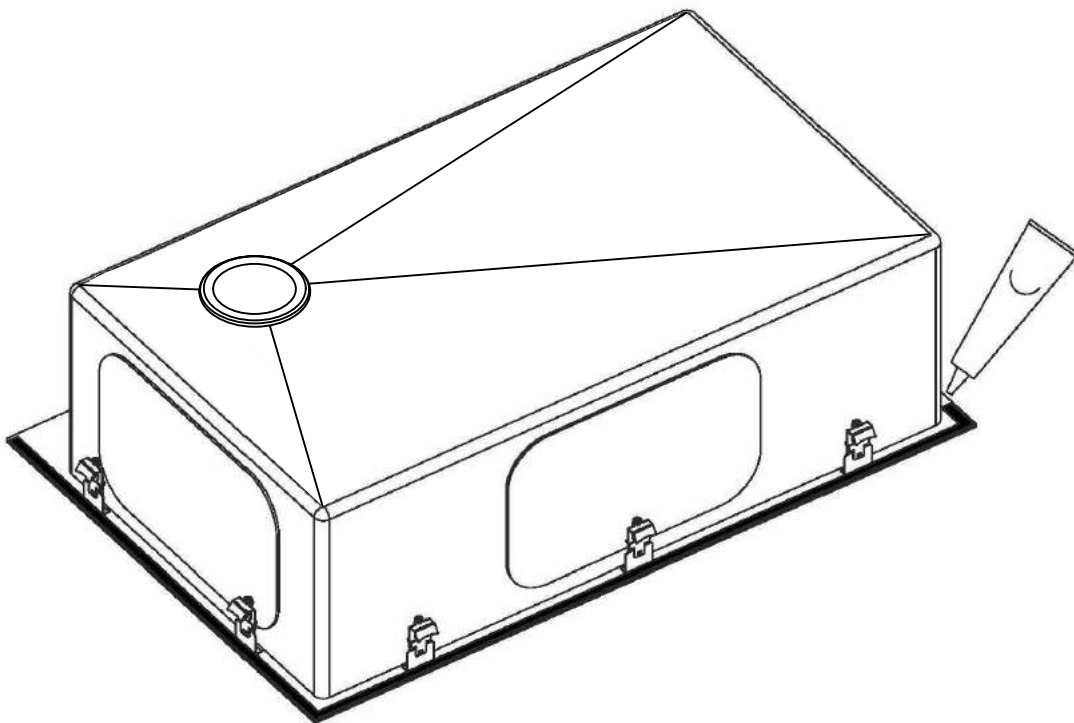




## Step 5. Apply Silicone or Plumber's Putty

---

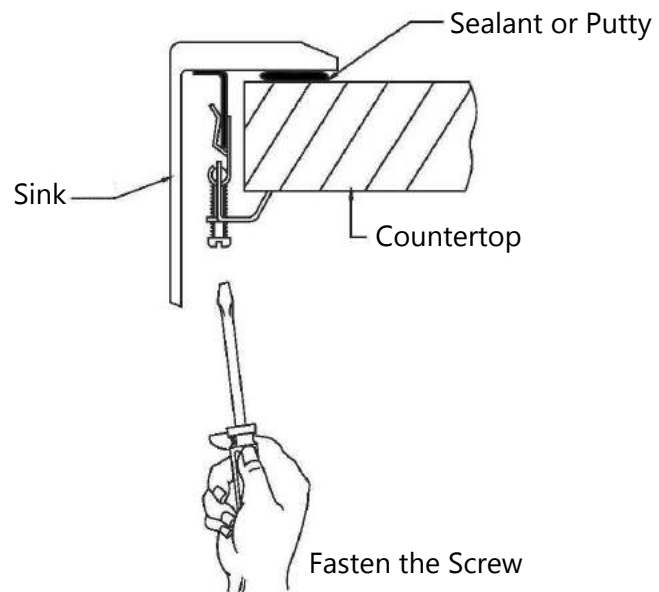
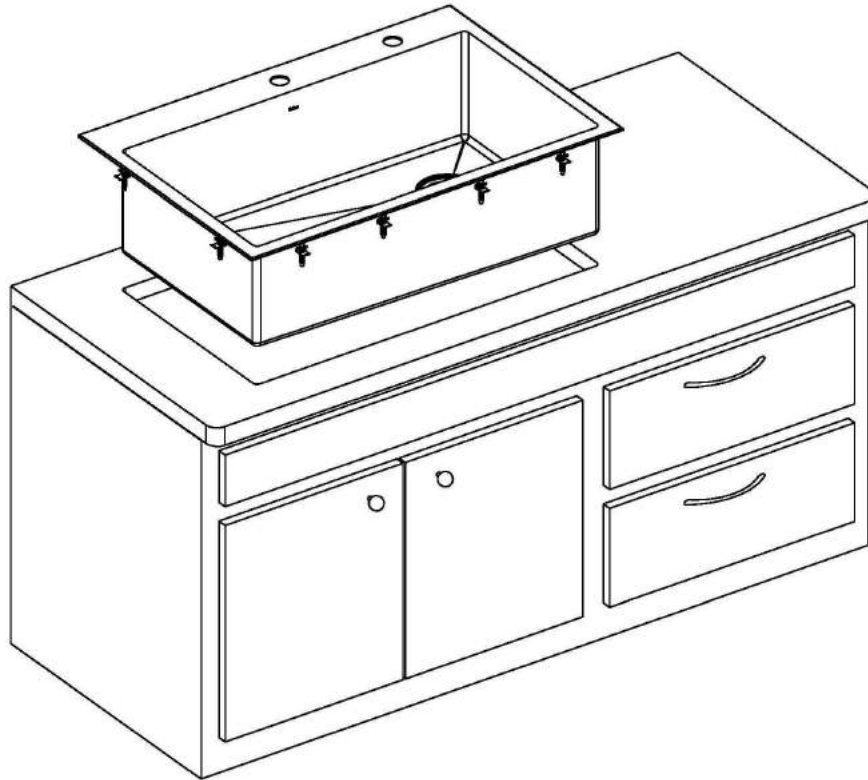
- Clean and dry the surface around the opening of the sink.
- Turn the unit upside down to apply sealant. Apply silicone-based sealant (not included) underneath the edge of the sink.



## Step 6. Secure Sink to Countertop

---

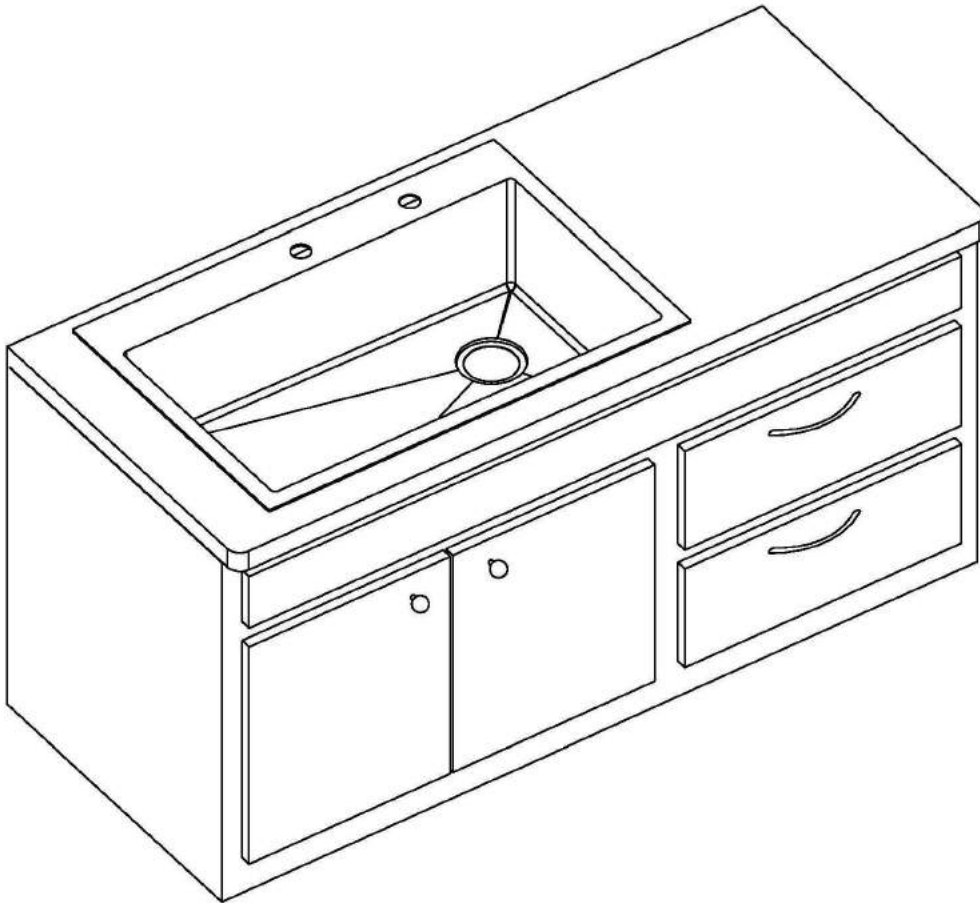
- Insert the sink into the opening, check the alignment of the sink to the cutout in the countertop and press firmly.
- Tighten the screws in the front of the sink, followed by the ones in the back and on the sides of the sink.
- Remove excess silicone-based sealant.
- Allow sealant to set for 30-60 minutes.



## Step 7. Install Plumbing Fixtures

---

- Connect drain to sink. Connect trap to drain. Connect water supply connections to faucet according to manufacturer's instructions.
- Run water into sink and check for leaks.



## Maintenance

---

Clean your sink on a regular basis with warm soapy water. Rinse the sink after using cleaning products. Wipe the sink surface with a soft cloth to remove any liquid residue. Do not cut food directly on the surface of the sink. Do not leave sharp objects on the surface of the sink for an extended period of time. Do not use abrasive cleaning products, sanding tools, steel wool or bleaching products.

## Codes/Standards Applicable



### Kitchen Sink Warranty

Kraus products are manufactured and tested to the highest quality standards by Kraus USA Inc. ("Kraus").

Kraus extends this warranty to the original purchaser for personal household use of the "Kitchen Sink" in its original location. The warranty is non-transferable.

Kraus warrants the structure and finish of the product to be free from defects in material and workmanship under normal usage for the lifetime of the product. The warranty commences from the initial date of purchase by the owner or trade professional, from an authorized Kraus dealer, through the lifetime of the original owner or end-user.

Any product reported to the authorized dealer or to Kraus as being defective within the warranty period will be repaired or replaced with a product of equal value at the option of Kraus. This warranty extends to the original owner or end-user, and is not transferable to a subsequent owner.

### Restrictions

This warranty does not cover antediluvian, discontinued, or display products, whether such items are purchased at discount outlets, unauthorized dealers, and/or sold on clearance.

This warranty does not cover instances of negligence, misuse, abuse, improper installation, carelessness, accident, hard water or mineral deposits, exposure to corrosive materials, misapplication, damages caused by improper maintenance, alteration of the product, or failure to follow care or installation instructions enclosed with your product. Avoid using abrasive cleaners such as powders, bleach, ammonia, alcohol, or chlorine. Avoid using abrasive pads, steel wool, or wire brushes, as these will damage and wear down the finish.

This warranty does not apply to Products that have not been installed or operated in accordance with instructions supplied by Kraus and all applicable rules, regulations, and legislation pertaining to such installations.

This warranty does not apply unless the Kraus product is installed by a fully insured and licensed trade professional. Kraus insists that such professionals have experience in the installation of bathroom and kitchen manufactured goods.

This warranty does not cover labor charges or costs of removal and reinstallation of said product. This warranty does not allow recovery of incidental or consequential damages, such as loss of use, delay, property damage, or other consequential damages, and Kraus accepts no liability for such damages.

This warranty does not cover Marine or Outdoor Installation.

This warranty does not cover any free gifts included with purchase.

Except as otherwise provided above, Kraus makes no warranties, expressed or implied, including warranties of merchantability and fitness for a particular purpose, or compliance with any code.

Shipping charges will be covered for the first (1) year of the warranted replacement part or product (HI, AK, and Puerto Rico shipping charges may apply). International shipping fees are not included.

### COMMERCIAL WARRANTY

Kraus extends the above warranty for a period of one (1) year to purchasers of products for industrial, commercial, and business use.

All incidental or consequential damages are specifically excluded. No additional warranties, express or implied, are given, including but not limited to any implied warranty of merchantability or fitness for a particular purpose.

Some states do not allow the exclusion or limitation of incidental or consequential damages or limitations on how long an implied warranty lasts, so the above limitations or exclusions may not apply to you.

This warranty gives you specific legal rights, and you may also have other rights which vary from state to state.

KRAUS USA has the right to change, modify, and/or update the warranty policy at any time. For the latest, most up to date comprehensive warranty, go to [www.kraususa.com/warranty](http://www.kraususa.com/warranty)

**If you are a homeowner please contact a Kraus Customer Service Representative at:**

Kraus USA, Inc.  
12 Harbor Park Drive  
Port Washington, NY 11050  
Toll-free 800-775-0703  
Customerservice@kraususa.com

**If you are a plumbing contractor or trade professional please contact a Kraus Pro Representative at:**

Kraus USA, Inc.  
12 Harbor Park Drive  
Port Washington, NY 11050  
516-801-8955  
Proservice@kraususa.com

**If you are an Authorized Partner please contact a Partner Support Representative at:**

Kraus USA, Inc.  
12 Harbor Park Drive  
Port Washington, NY 11050  
516-801-8954  
Partnersupport@kraususa.com

**In requesting warranty service, please be ready to provide:**

1. Proof of purchase.
2. A description of the problem.

**Download the Kraus Care & Maintenance Guide at:**  
<http://www.kraususa.com/maintenance>

**IMPORTANT**

## **Register Your Kraus Product**

**Activate** Your Warranty

**Access** Premium Customer Support

**Get** Product Information

**REGISTER TODAY**

**<http://www.kraususa.com/registration>**

**Kräus**<sup>®</sup>  
www.kraususa.com

# Kröus<sup>®</sup>

## CARE & CLEANING GUIDE

Bathroom & Kitchen Products



# REGISTER YOUR NEW KRAUS PRODUCT

And Let Us Serve You Better

---

## Why Should You Register Your New Kraus Product?

Are you tired of keeping track of receipts and proofs of purchase? Registering online is an easy way to safeguard product details and keep your warranty information close at hand.

Should the need for service ever arise, online registration will allow us to instantly access your product and purchase details, making your customer support experience even faster.

Having your contact details in our secure database will also allow us to immediately pass valuable product information, including updates and upgrades, along to you.

**Receive** Proof of Ownership

**Access** Customer Care & Installation Help

**Get** Exclusive Kraus Offers & Promotions

## We Are Always Looking For Ways To Improve

Please take a moment to share your experience.

Visit [www.kraususa.com](http://www.kraususa.com) and let us know what you think.



Scan to Register Online

Contact Us To Learn More

1.800.775.0703 / [www.kraususa.com](http://www.kraususa.com) / [customerservice@kraususa.com](mailto:customerservice@kraususa.com)

Like & Follow **KrausUSA**





# GETTING STARTED

---

For the best cleaning & care results when maintaining your Kraus products, please follow all instructions carefully, and only use the suggested cleaning agents. Using other cleaning agents may cause damage or discoloration, and may potentially affect the functionality of your product.

Always test all cleaning agents on an inconspicuous area of your Kraus product before applying to the entire surface.

Wipe all surfaces clean and rinse them completely with water immediately after applying the cleaner. Rinse and dry any excess cleaner that may land on adjacent surfaces. Do not allow cleaner to sit, as it may soak in and cause damage.

Use a soft, damp cloth or sponge. **DO NOT** use any abrasive material, such as a scouring pad, brush, or steel wool, to clean the surface of your Kraus product.

The effectiveness of all cleaners depends on factors like water hardness and temperature, consistency of cleaning formulas, and age/condition of the product being cleaned. Variations in these, and other, factors mean that Kraus cannot guarantee the effectiveness of any cleaner or procedure used. Please see the product warranty for further details on what is covered under normal conditions of use.

To view all warranty information, visit [www.kraususa.com/warranty](http://www.kraususa.com/warranty)

# BRASS & HYBRID FAUCETS

Chrome, PVD, Lacquer & Oil-Rubbed Bronze

---

Always spot-test any new cleaner on a hidden area of the faucet before applying it to the entire surface.

To prevent water spots, rinse and wipe your faucet thoroughly with a damp cloth after every use, then pat dry with a microfiber cleaning cloth.

We recommend thoroughly cleaning your faucet once a week with your choice of cleaner from the Products to Consider section below.

**Do not** use cleaners containing any abrasive powders, bleach, ammonia, alcohol, vinegar, or chlorine. These products may damage the faucet finish.

**Do not** use abrasive pads, steel wool, or wire brushes when cleaning the faucet. Using these will damage and/or wear down the faucet finish.

## Products to Consider:

- Comet® Bathroom Cleaner
- Fantastik® Antibacterial Heavy Duty Cleaner
- Green Works® All-Purpose Cleaner
- Green Works® Glass Cleaner
- Windex® Original Glass Cleaner
- Soft cloth
- Sponge

## Oil-Rubbed Bronze Finishes Products to Consider:

- Windex® Original Glass Cleaner



# STAINLESS STEEL FAUCETS

---

Always spot test any new cleaner on a hidden area of the faucet before applying it to the entire surface.

To prevent water spots, rinse and wipe your faucet thoroughly with a damp cloth after every use, then pat dry with a microfiber cleaning cloth.

When purchasing a cleaner for your stainless steel faucet, look for a brand that explicitly states its products are “suitable for stainless steel.” We recommend using your choice of cleaner from the Products to Consider section below.

**Do not** use cleaners containing any abrasive powders, bleach, ammonia, alcohol, or chlorine. These products may damage the faucet finish.

**Do not** use any abrasive pads, steel wool, or wire brushes when cleaning the faucet. Using these will damage and/or wear down the faucet finish.

## Products to Consider:

- Fantastik® Antibacterial Heavy Duty Cleaner
- Green Works® All-Purpose Cleaner
- Green Works® Glass Cleaner
- Windex® Original Glass Cleaner
- Soft cloth
- Sponge



# STAINLESS STEEL SINKS

---

To prevent water spots and clouding, rinse and wipe the inside of the sink with a microfiber cleaning cloth after every use.

For a more thorough cleaning, use water and a mild liquid soap detergent (ammonia-free). Apply the cleaner with a soft sponge, then rinse with lukewarm water and pat dry with a microfiber cleaning cloth.

Polishing your sink weekly will help to retain the luster of the stainless steel. We recommend using your choice of cleaner from the Products to Consider section below.

For maximum surface protection, we strongly recommend using a Kraus bottom grid, included with most Kraus stainless steel sink models. If you need a new or replacement grid, our customer service team will be glad to help!

**Do not** use cleaners containing any abrasive powders, bleach, ammonia, alcohol, or chlorine. These products may damage the sink finish.

**Do not** use any abrasive pads, steel wool, or wire brushes when cleaning the faucet. Using these will damage and/or wear down the sink finish.

**Do not** leave pots, utensils, or standing water in the sink, as this may cause rust stains on the sink surface.

## Products to Consider:

- Weiman® Stainless Steel Cleaner
- Howard Naturals® Stainless Cleaner
- Fantastik® Antibacterial Heavy Duty Cleaner
- Green Works® All-Purpose Cleaner
- Green Works® Glass Cleaner
- Windex® Original Glass Cleaner
- Soft cloth
- Sponge
- Use 3M Scotch Brite® Pad Non-Abrasive for tougher stains
- Bar Keepers Friend®



# STAINLESS STEEL SINKS

---

## Recommended Use & Care

### We Recommend:

- The best form of maintenance is regular and frequent cleaning. We think you will find it easier to maintain the pristine appearance of your sink with regular cleaning rather than dealing with major cleanups on a sporadic basis.
- The practice of regular cleaning is particularly important in locations with water that has a high mineral content.
- Should mineral deposits build up over time, we recommend using vinegar to neutralize the calcium deposits. Use a soft dishcloth saturated with vinegar to scrub the sink surface, then rinse with water and towel dry.
- Always use the mildest procedure possible to clean your sink. Please avoid using any abrasive cleaners, scrubbing pads, or wipes, as this may damage and/or wear down the sink surface.
- Unfortunately, stainless steel will scratch over time. This is inherent to the material; you will see evidence of this wear condition on the surface of other kitchen items, such as cutlery, and pots & pans. For this reason, we recommend that you use the mildest form of cleaner available. Please use a non-abrasive cleaning soap (e.g. liquid dishwasher detergent) with a soft cloth to clean the surface of the sink.
- Any cleaning or scrubbing to remove stubborn stains should always follow the grain or polish lines in the sink. Please be aware that scrubbing across the grain may lead to scratching.
- If you find a need to use a more aggressive approach for treating stubborn stains, we recommend the following products:
  - Bar Keepers Friend®
  - Bon Ami®
- Kraus stainless steel bottom grids are designed to protect the finish on the bottom of the sink bowl. These grids are included with most Kraus stainless steel sink models. If you need a replacement grid, our customer service team will be happy to help!

# STAINLESS STEEL SINKS

---

## Recommended Use & Care

### A Word To The Wise - Please Be Aware That:

- The iron present in some commonly used kitchen items, such as steel wool pads, cast iron skillets, or steel utensils, may lead to the corrosion of stainless steel. Small particles of iron residue may be left on the surface of the sink, and although they may not be readily visible, the presence of iron combined with moisture will lead to corrosion.
- The unique properties of stainless steel are dependent upon exposure of the surface to oxygen that is present in the air or atmosphere. Do not leave rubber dish mats, cleaning sponges, or pads in the sink overnight, as they will trap water, which will lead to staining or discoloration of the sink surface.
- Bleach contains chlorine compounds, and chlorine will attack stainless steel. The risk of damage is proportional to the concentration of chlorine and the duration of exposure. Minimize any potential damage by avoiding the use of chlorine bleach and chlorine cleaners in the sink.
- Some anti-bacterial soaps contain chlorine. We recommend that you clean up any such spills, and rinse the sink surface with water.
- Any prolonged contact of the sink surface with strong acids or chemicals could lead to pitting, and should be addressed with an immediate rinsing and cleaning of the sink with clean water.

These chemicals may be present in the following items:

- Photographic chemicals
- Soldering fluxes
- Drain cleaning products containing sulphuric or hydrochloric acid
- Silver dip cleaners
- Certain salt laden foods such as pickles, mayonnaise and mustard

# GRANITE SINKS

---

To prevent water spots, clouding, and discoloration, rinse and wipe the inside of the sink with a microfiber cleaning cloth after every use.

For a more thorough cleaning, use water and a mild liquid soap detergent (ammonia-free). Apply the cleaner with a soft sponge or nylon brush and scrub in circular motions. Remember to thoroughly wash away any extra soap left behind after cleaning.

To clean, seal, and protect your granite sink, use a pH neutral cleaner. We recommend using your choice of cleaner from the Products to Consider section below.

To deep-clean tough stains, products to consider include: Mr. Clean Magic Eraser, Supreme Surface Scum & Mineral Deposit Remover. Make sure to follow the cleaning instructions provided by the product's manufacturer.

**Do not** use cleaners containing any abrasive powders, bleach, ammonia, alcohol, or chlorine. These products may damage the sink surface.

**Do not** use any abrasive pads, steel wool, or wire brushes when cleaning the sink. Using these will damage and/or wear down the sink surface.

**Do not** leave pots, utensils, or standing water in the sink, as this may cause rust stains on the surface of the sink.

## Products to Consider:

- Supreme Surface® Granite Cleaner & Conditioner (may be used daily)
- Soft Scrub®
- Dishwasher soap
- White vinegar + water solution 50/50
- Weiman® Granite Cleaner & Polish





# CERAMIC SINKS

---

To prevent water spots, rinse and wipe the inside of the sink with a microfiber cleaning cloth after every use.

For a more thorough cleaning, use water and a mild liquid soap detergent (ammonia-free). Apply the cleaner with a soft sponge, then rinse with lukewarm water and pat dry with a microfiber cleaning cloth.

For hard water deposits or lime scale, use the following solution:  $\frac{1}{2}$  vinegar and  $\frac{1}{2}$  water. Apply the mixture to the inside of the sink, then immediately rinse thoroughly with warm water and pat dry with a microfiber cleaning cloth. To prevent streaks, use a chamois cloth to dry the sink.

For tough stains like rust (caused by mineral deposits from the water supply) or toothpaste residue buildup, use a solution of baking soda and vinegar. Combine the two ingredients into a paste, and apply directly to the stain. Let the paste sit for 10 minutes, then rinse with lukewarm water and pat dry with a microfiber cleaning cloth.

**Do not** use cleaners containing any abrasive powders, bleach, ammonia, alcohol, or chlorine. These products may damage the sink surface.

**Do not** use any abrasive pads, steel wool, or wire brushes when cleaning the sink. Using these will damage and/or wear down the sink surface.

## Products to Consider:

- Soft Scrub®
- Bar Keepers Friend®
- Dishwasher soap
- White vinegar + water solution 50/50
- Mild bleach solution





# SOLID SURFACE SINKS

---

To prevent water spots, rinse and wipe the inside of the sink with a microfiber cleaning cloth after every use.

To maintain the product, treat all surfaces with baby oil using a microfiber cleaning cloth once per month.

For everyday cleaning, use water and a mild liquid soap detergent or a ½ vinegar and ½ water solution. Apply the cleaner with a soft (microfiber) cleaning cloth or soft (non-abrasive) sponge wipe in circular motions, then rinse with lukewarm water and pat dry with a microfiber cleaning cloth. Remember to wash away any extra soap left behind after cleaning thoroughly.

For tough stains, use the following solution: ½ vinegar and ½ water, or suggested products (listed below). Apply the cleaner with the coarser side of a dishwashing sponge wipe in circular motions, then rinse with lukewarm water and pat dry with a microfiber cleaning cloth. Remember to wash away any extra soap left behind after cleaning thoroughly.

Minor scratches and some deep stains on the surface may be treated with P400 or finer grit abrasive paper soaked in water, and then maintained with baby oil.

**Do not** use any cleaners that include lime removal agents such as CLR or Lime-A-Way. These products may damage the sink surface.

**Do not** use any abrasive pads, steel wool, or wire brushes when cleaning the sink. Using these will damage and/or wear down the sink surface. PLEASE BE CAREFUL WITH ALL PRODUCTS CONTAINING ABRASIVES.

**Do not** leave metal objects or standing water in the sink, as this may cause rust stains on the surface of the sink.

## Products to Consider:

- Soft Scrub®
- Bar Keepers Friend®
- Dishwasher soap
- White vinegar + water solution 50
- Mild bleach solution



**Note :** To maintain the beauty of the product surface and avoid unwanted stains (hair dye, ink, lipstick, and other coloring substances) we strongly recommend the immediate removal of dirt.

Avoid any cleaning products that contain natural or artificial dyes. Test product on an inconspicuous area before using.

The temperature of the water should never exceed 70°C (158°F).

Improper use may damage products and invalidate the warranty.

Go to [Kraususa.com](http://Kraususa.com) for care and maintenance guides

# GLASS SINKS

---

To prevent water spots and clouding, rinse and wipe the inside of the sink with a microfiber cleaning cloth after every use.

**Clear Glass Sinks:** For a more thorough cleaning, use water and a mild liquid soap detergent (ammonia-free). Apply the cleaner to the exterior and interior of the sink with a soft sponge, then rinse with lukewarm water and pat dry with a microfiber cleaning cloth.

**Frosted Glass Sinks:** For a more thorough cleaning, use water and a mild liquid soap detergent (ammonia-free). Apply the cleaner with a soft sponge to the interior of the sink only, then rinse with lukewarm water and pat dry with a microfiber cleaning cloth. To keep the exterior of the sink spot-free, simply wipe off any excess water with a microfiber cleaning cloth after every use. For a more thorough cleaning of the exterior, use a mixture of mild liquid soap detergent and water.

**Multi-Color Glass Sinks:** For a more thorough cleaning, use water and a mild liquid soap detergent (ammonia-free). Apply the cleaner with a soft sponge to the interior of the sink only, then rinse with lukewarm water and pat dry with a microfiber cleaning cloth. To keep the exterior of the sink spot-free, simply wipe off any excess water with a microfiber cleaning cloth after every use.

For hard water deposits or lime scale, consider one of the following cleaners: Cinch Streak Free Multi-Surface Cleaner, Mr. Clean Antibacterial Multi-Surface Spray, or Formula 409 Glass & Surface Cleaner. Apply the cleaner to the inside of the sink, then immediately rinse with warm water and pat dry with a soft cloth. To prevent streaks, use a microfiber cleaning cloth to dry the sink.

**Do not** use cleaners containing any abrasive powders, bleach, ammonia, alcohol, or chlorine. These products may damage the sink surface.

**Do not** use any abrasive pads.



# Thank You for Choosing Kraus

---

To help ensure that you remain as happy with your Kraus purchase as the day it was installed, please follow the care and cleaning instructions and tips specific to your product.

If you have additional questions, please contact our **Customer Support Team** at **1.800.775.0703**

For more information about Kraus products, please visit our website at **[www.kraususa.com](http://www.kraususa.com)**

To download this guide please visit **[www.kraususa.com/care-and-maintenance.html](http://www.kraususa.com/care-and-maintenance.html)**

LIVE BEAUTIFULLY™

For style that works in harmony with your life, discover your kitchen and bath inspiration with Kraus

Kraus USA INC / 1.800.775.0703 / [www.kraususa.com](http://www.kraususa.com)  
© 2017 Kraus is a Trademark of Kraus USA, Inc. All Rights Reserved

**Kräus**<sup>®</sup>  
[www.kraususa.com](http://www.kraususa.com)

# KWU110-27

## 27 Inch Undermount Workstation Single Bowl Stainless Steel Kitchen Sink

# Kräus<sup>®</sup>

SPECIFICATION SHEET

### Sink Dimensions

Overall Dimensions: 27" x 19"

Bowl Dimensions: 25" x 16"

Sink Depth: 10"

### Features

- 16 Gauge Stainless Steel Construction
- Undermount Single Bowl Sink
- Required Minimum Cabinet Size: 30" Left to Right, 24" Front to Back
- Rear Off-Set Drain
- 3 1/2" Drain Opening
- NoiseDefend Undercoating and Sound Dampening Pads

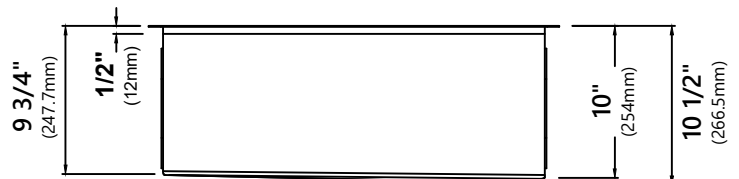
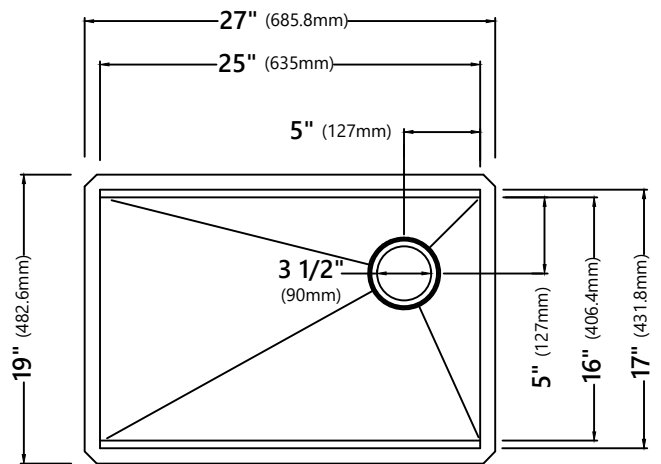
### Accessories Included

- Strainer ST-1
- Cover Cap STC-2
- Bottom Grid KBG-UN1-27
- Rolling Mat KRM-11BL
- Cutting board KCB-WS103BB
- Cut-Out Template
- Mounting Hardware

### CODES/STANDARDS:

#### Product Certification

cUPC (ASME A112.19.3/CSA B45.4)



**NOTE:** It is not recommended to install this sink with a negative reveal. Doing so will prohibit the use of any workstation accessories as they will not fit.

### Warranty

Kraus Limited Lifetime Warranty

see website for details [www.kraususa.com](http://www.kraususa.com)

Kraus USA Customer Service

1.800.775.0703 | [customerservice@kraususa.com](mailto:customerservice@kraususa.com)

REV. January 26, 2021